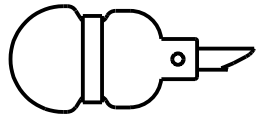


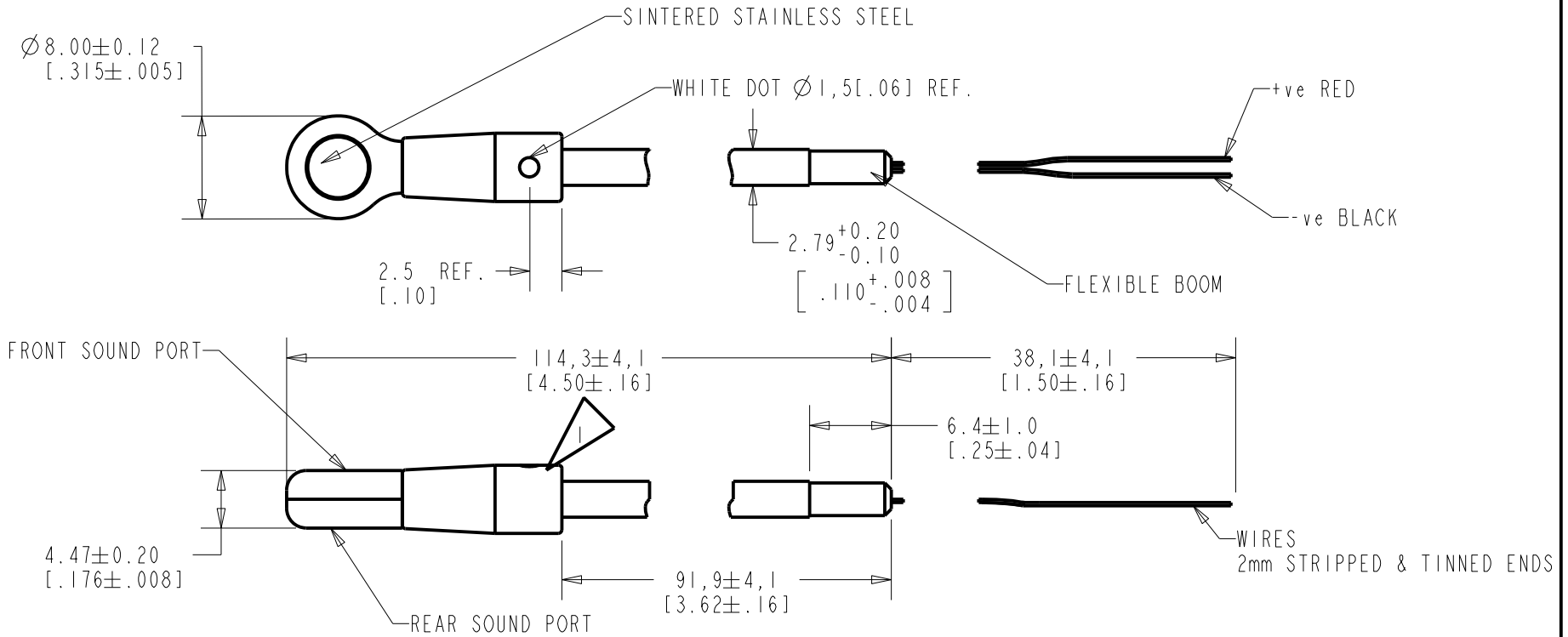
**FB-LW-31458-000**  
SHT 1.1



TOP VIEW  
W/ WINDSHIELD SHOWN  
SCALE 1:1

NOTES:

THE FRONT SOUND PORT IS ADJACENT TO THE MODEL NUMBER IDENTIFICATION.



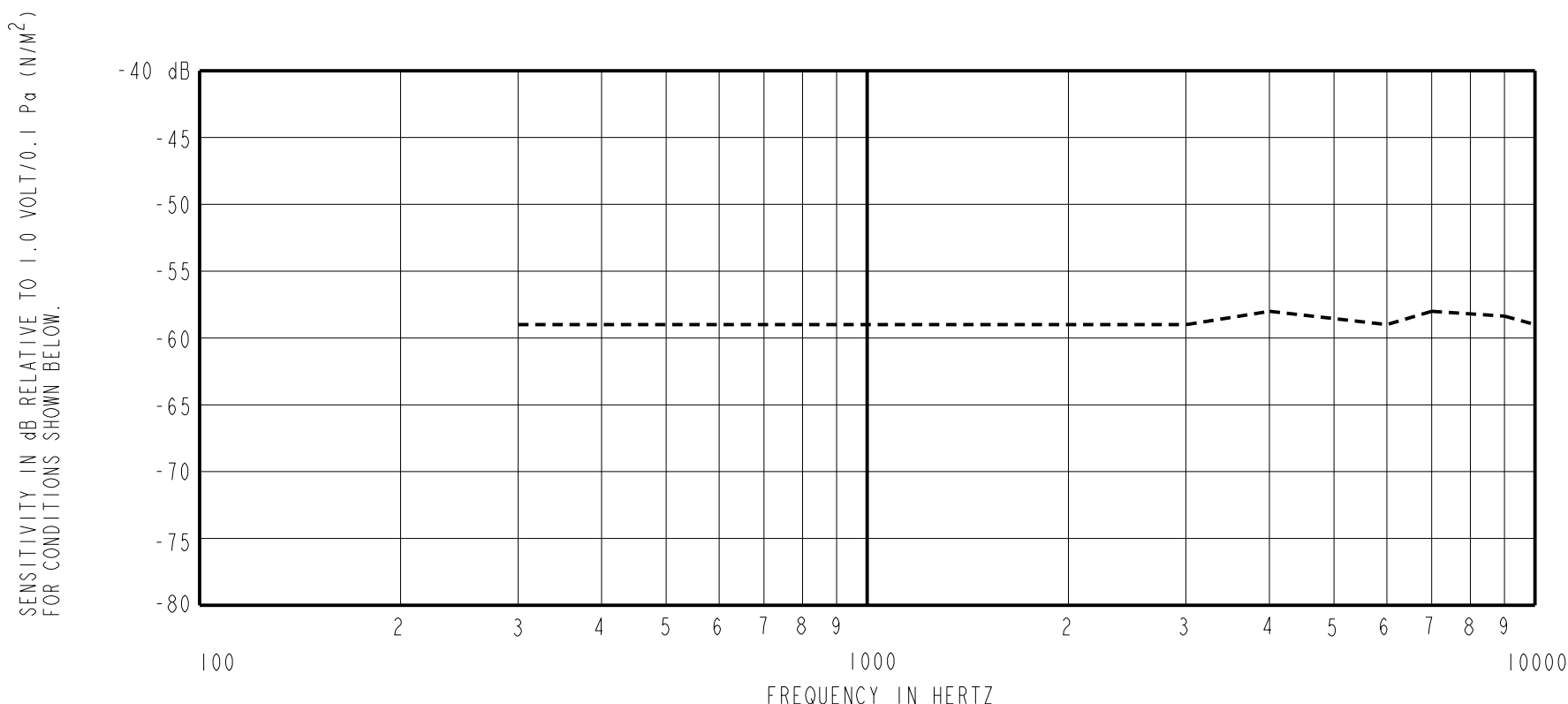
LENGTH	WIRE COLOR		WEIGHT GRAMS
	+ve	OUTPUT -ve	
	RED	BLACK	13.1

DIMENSIONS IN MILLIMETERS [INCHES]

Revision	C.O. #	Implementation Date	RELEASE LEVEL	REVISION
B	C40100836	11-18-11	Active	B
A	C40100770	9-15-11		

SCALE: 2:1	DR. BY: OQ	DATE: 9-15-11
DO NOT SCALE DRAWING	CK. BY: GJP	DATE: 9-23-11
TITLE: BOOM MICROPHONE FB-LW-31458-000	APP. BY: GJP	DATE: 9-23-11
OUTLINE DRAWING	SHT 1.1	

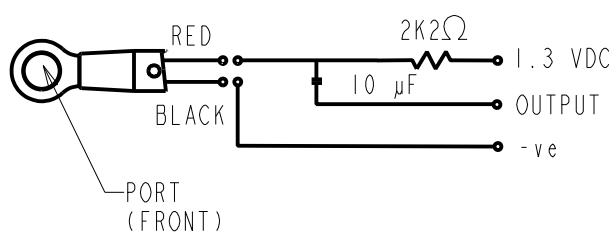
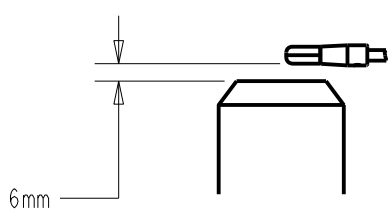
**KNOWLES ELECTRONICS**  
ITASCA, ILLINOIS U.S.A.



FREQUENCY	SENSITIVITY			DEVICE CONFORMITY	
	MIN.	NOM.	MAX.	RANGE OF DEVIATION FROM 1KHz	
300	---	-59.0	---	-4.0	+4.0
1000	-63.0	-59.0	-55.0	0.0	0.0
4000	---	-58.0	---	-3.0	+5.0

NOTES:

- MICROPHONE TO BE FUNCTIONAL WITH 10 VDC SUPPLY.
- SENSITIVITY VALUES INDICATED ON THIS SPECIFICATION ARE VALID AT 50% HUMIDITY.
- TEST CONDITIONS:  
HEAD OF BOOM EXPOSED TO SWEPT SOUND FIELD AT 6mm FROM VOICE APERTURE.  
ARTIFICIAL VOICE:  
B & K 4227 MOUTH SIMULATOR.
- FOR MICROPHONE CAPSULE SPEC. SEE WP-25993-D63 SHEET 2.1.



LEAD IDENTIFICATION  
& TEST CIRCUIT

Revision	C.O. #	Implementation Date	RELEASE LEVEL	REVISION
B	C40100836	11-18-11	Active	B
A	C40100770	9-15-11		

**KNOWLES ELECTRONICS**  
ITASCA, ILLINOIS U.S.A.

WHEN TEST LIMITS ARE USED TO ESTABLISH INCOMING INSPECTION ACCEPTANCE/REJECTION CRITERIA, CORRELATION OF TEST EQUIPMENT WITH KNOWLES IS ALSO REQUIRED FOR ELIMINATION OF EQUIPMENT AND TEST METHOD VARIATION

TITLE: **BOOM MICROPHONE** **FB-LW-31458-000**  
PERFORMANCE SPECIFICATION **SHT 2.1**

DR. BY	DATE
OO	9-15-11
CK. BY	DATE
GJP	9-23-11
APP. BY	DATE
GJP	9-23-11